

Repair Parts List

MODEL NUMBER

ART660L

MANUFACTURING
NUMBER

P1167302S_L

DOWNDRAFT RANGE

When requesting service or ordering parts, always provide the following information:

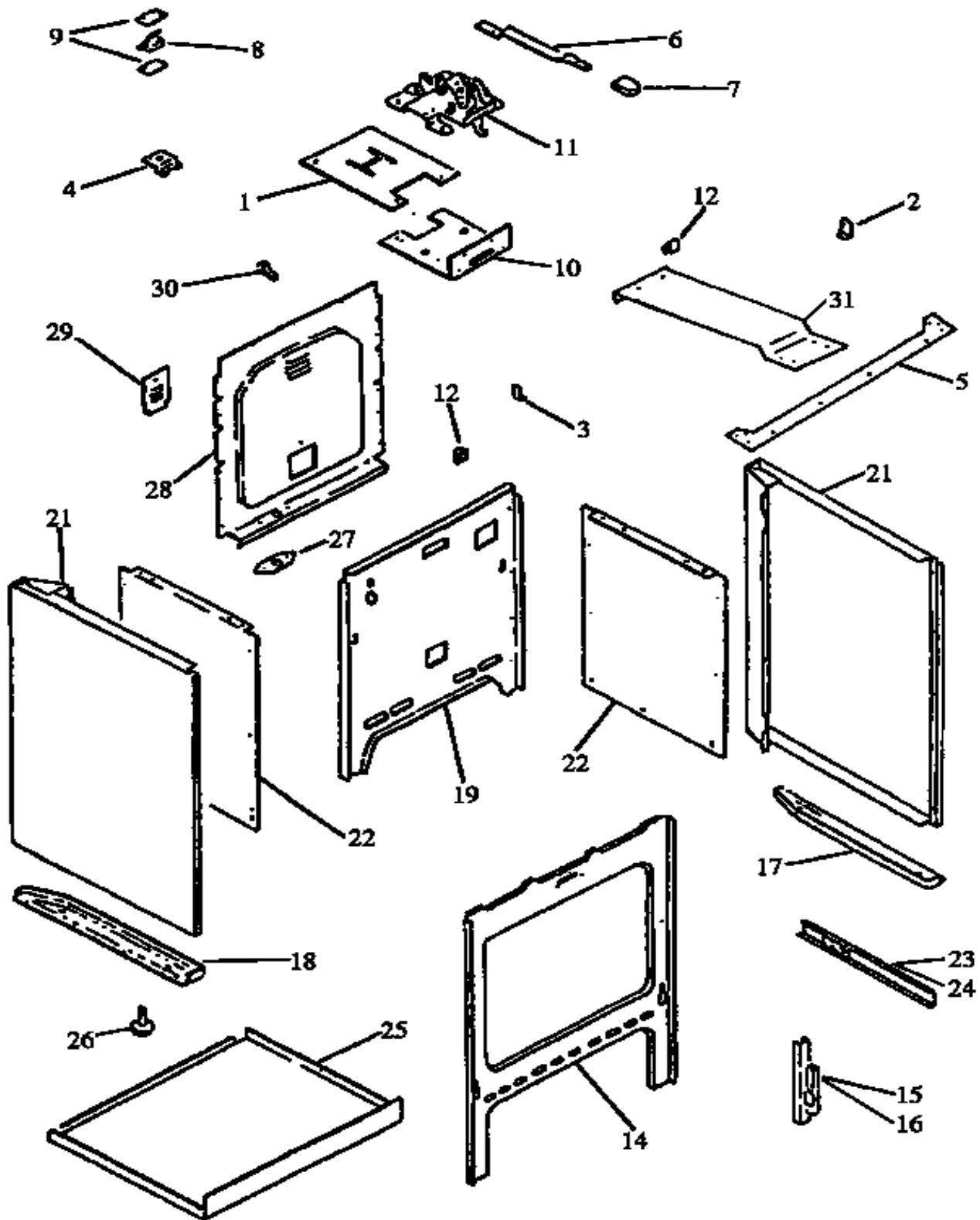
- Product Type
- Part Number
- Model Number
- Part Description

MAYTAG®

©2005 Maytag Services

Section: CABINET ASSY

Model: ART660L_P1167302S_L



AM15056

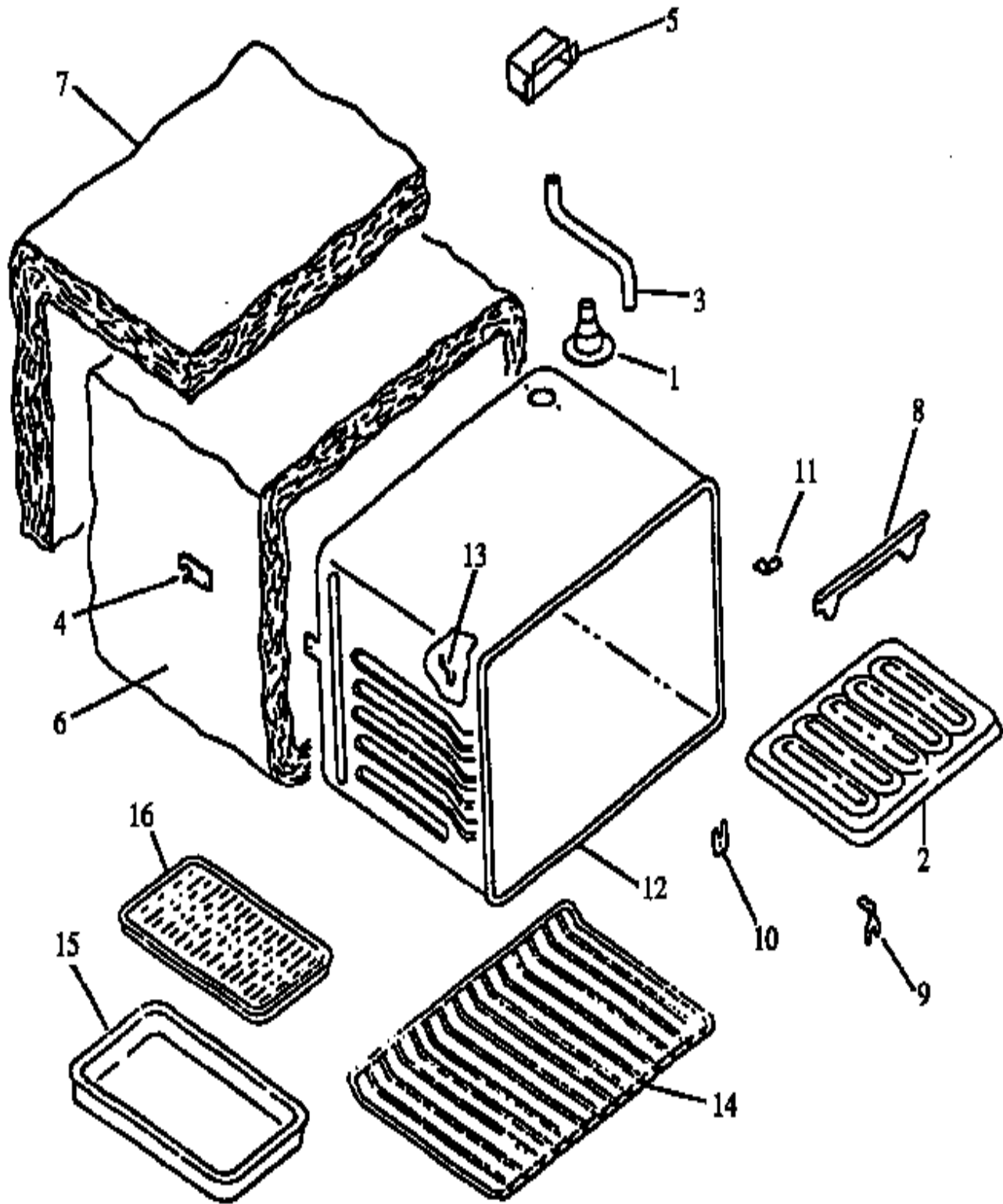
Section: CABINET ASSY

No.	Part No.	Description	Series Qty
1	Y0063353	RETAINER, OVEN LIGHT	1
2	0091587	CABLE, CLIP ESM	1
3	0091587	CABLE, CLIP ESM	1
4	0302316	BRACKET, SWITCH	1
6	303039B	LATCH ARM	1
7 N	0302300	KNOB, LATCH HANDLE (BLK)	1
8	Y0065780	SWITCH, CLEAN CIRCUIT	1
9	0091523	INSULATION, ESM	1
10	0058918	BRACKET, LATCH MTG.	1
11	0059565	LATCH, OV. DOOR	1
12	0091587	CABLE, CLIP ESM	1
15	Y0066953	KIT, DOOR HINGE(LH-HS)	1
16	Y0067795	KIT, DOOR HINGE(RH-SS)	1
17	303578B	BRACE, LEVELING LEG (RH)	1
18	303577B	BRACE, LEVELING LEG (LT)	1
19	Y0306513	RETAINER	1
21	306081W	PANEL, SIDE (WHT)	1
21	306081B	PANEL, SIDE (BLK)	1
21	306081L	PANEL, SIDE (ALM)	1
22 N	0304282	RETAINER, INSULATION (SIDE)	1
23	0314662	TRACK, STORAGE DWR LH	1
24 N	0306403	TRACK, STORAGE DWR RH	1
25	Y0306548	RETAINER	1
26	Y0307594	LEG, LEVELING	1
27 N	0058311	PLATE, MAIN INLET WIRE	1
28	Y0307342	COVER, REAR	1
29	Y0058435	ACCESS PLATE, REAR	1
30	0068513	CLAMP, WIRE-INSULATE	1
9999	0301028	BRACKET	1
9999N	0097959	WASHER FINISHING	1
9999	0078780	SCREW LATCH ARM MOUNTING	1
9999	Y0052031	SCREW, #8-32 X3/8 P TRS HD LP	1
9999	0065664	SCREW, TT 23 4-40 X 5/8	1
9999	Y0092365	SCREW 4-40X1	1
9999	Y0041769	SCREW 6 32X5/16 PH FH	1

*Color Code (-)=Not Shown #=Series, Serial Prefix or Run No., N=Not Available

Section: OVEN ASSY

Model: ART660L_P1167302S_L



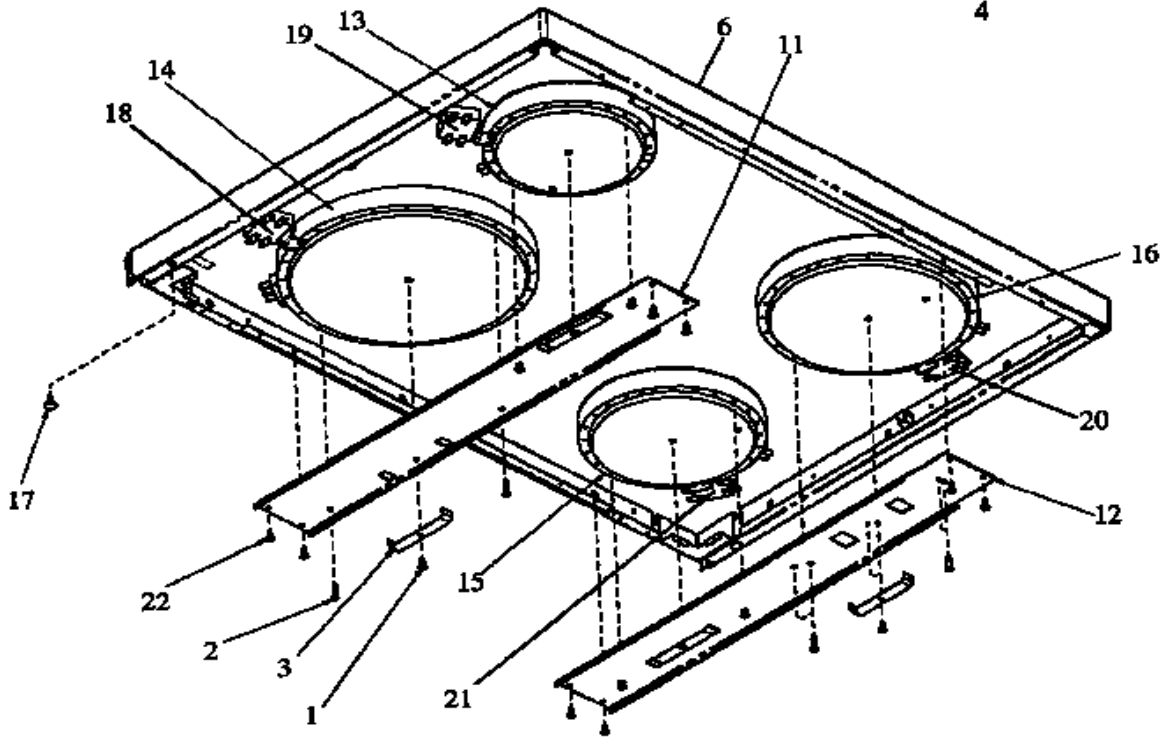
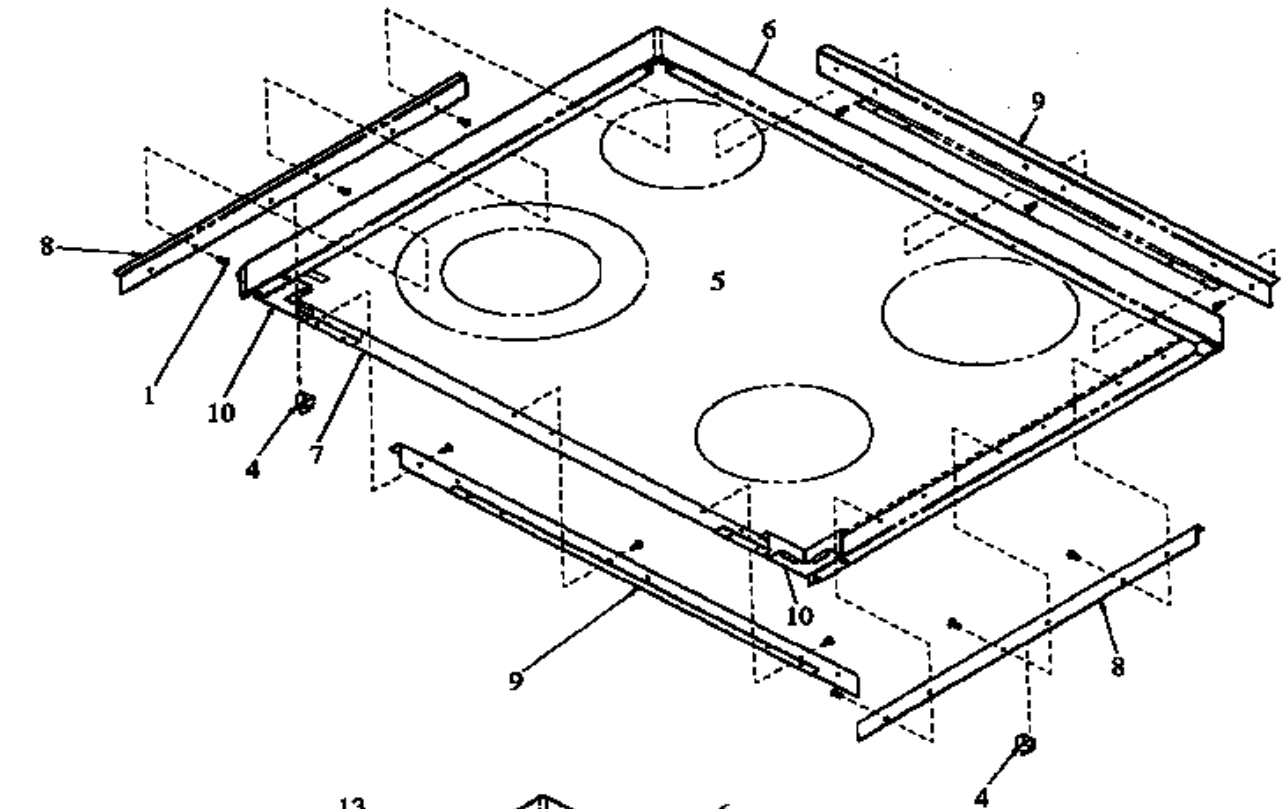
AM15057

Section: OVEN ASSY

No.	Part No.	Description	Series Qty
1	N 0058526	SMOKE ELIMINATOR	1
2	Y0061781	REFLECTOR, BROIL ELEMENT	1
3	N 0305799	TUBE, VENT	1
4	0058852	BRACKET, OVEN CAVITY	1
5	N 0304393	FLUE CAP BACKGRD	1
6	N 0300973	INSULATION, WRAPPER	1
7	Y0300974	INSULATION, REAR	1
8	0061557	BRACKET, REFLECTOR MOUNTING	1
9	N 0061556	BRACKET, MOUNTING	1
10	0063351	CAPILLARY HOLE COVER	1
11	N 0300278	CHIP COVER	1
12	58788CG	OVEN SHELL (EL. W/LT)	1
13	0067053	CLIP, THERMO CAPILLARY	1
14	Y067810K	RACK,OVEN	1
15	11161CG	PAN, BROILER	1
16	304451E	GRID, BROILER (CG)	1
9999	Y0076357	RIVET, POP	1

*Color Code (-)=Not Shown #=Series, Serial Prefix or Run No., N=Not Available

Model: ART660L_P1167302S_L



Viewed from below.

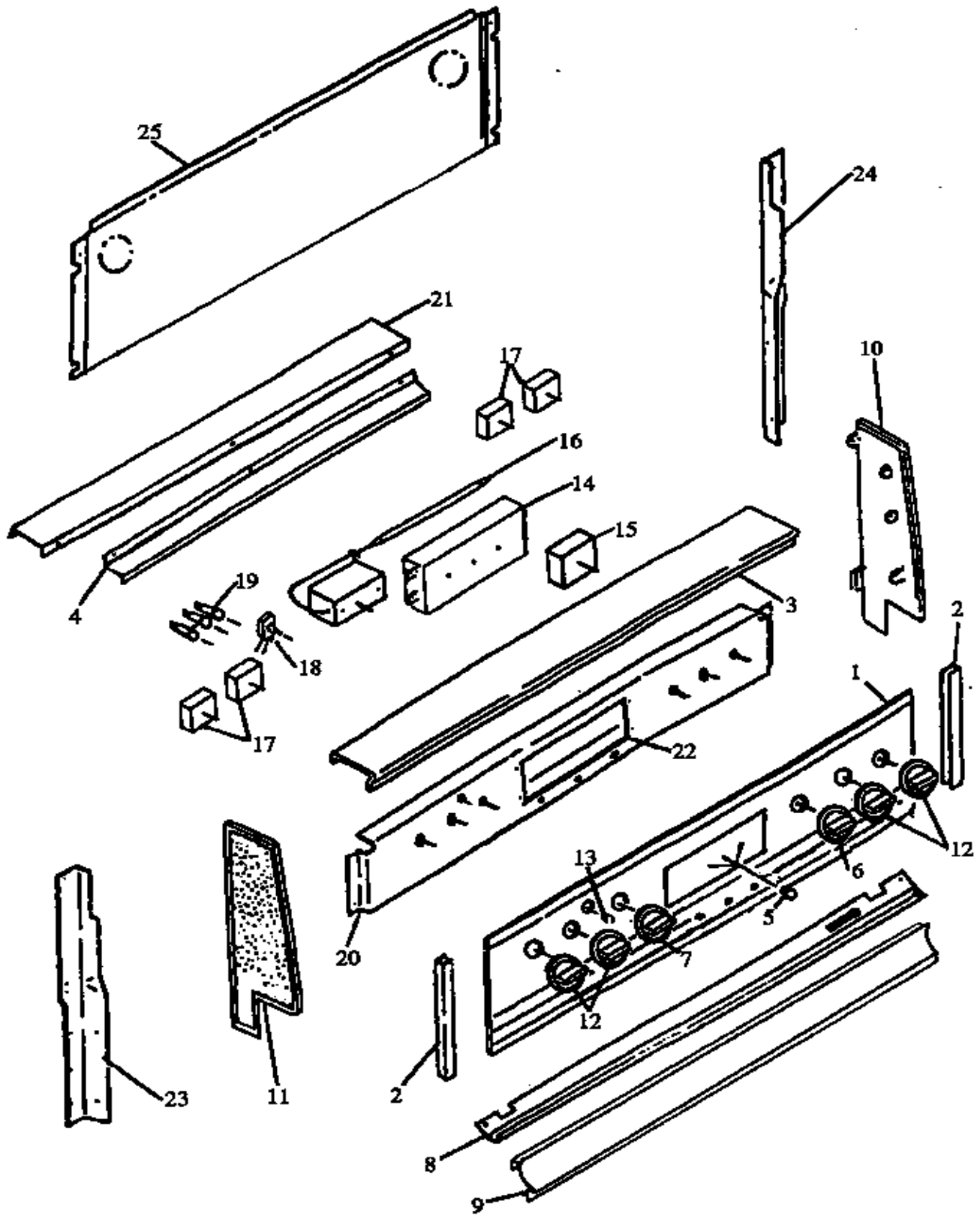
Section: Page 3

No.	Part No.	Description	Series Qty
1	Y0059445	SCREW, #8-18X.406-.344 WAFERHD	1
2	N 0306212	SCREW, SHOULDER	1
3	0306683	SPRING, ELEMENT	1
4	0091587	CABLE, CLIP ESM	1
5	N 0306205	COOKTOP, GLASS CERAMIC	1
6	306193B	TRIM, FRAME RANGETOP (BLACK)	1
7	N 0306194	FRAME, REAR	1
8	N 0306186	SUPPORT, GLASS	1
9	N 0306189	SUPPORT, GLASS	1
10	N 306187B	GUSSET, GLASS SUP	1
11	N 306192B	BRKT., ELEM. L.H.	1
12	306191B	BRKT, ELEM. R.H.	1
13	Y0306213	HEATER, RADIANT (1200W)	1
14	Y0306214	HEATER, RADIANT (2400W)	1
15	0306215	HEATER, RADIANT (1400W)	1
16	Y0306216	ELEMENT	1
17	N 0306652	FASTENER, CLIP Note: (NYLON)	1
18	N 10061021	LIMITER (600 DEGREE C)	1
19	N 10061016	LIMITER	1
20	N 10061018	LIMITER	1
21	N 10061017	LIMITER	1
22	Y0041809	SCREW, #8-18 X 3/8 P TRS HD LP	1
9999N	0307330	TAPE, VINYL FOAM, ROLL	1

*Color Code (-)=Not Shown #=Series, Serial Prefix or Run No., N=Not Available

Section: BACKGUARD PARTS

Model: ART660L_P1167302S_L



AM15059

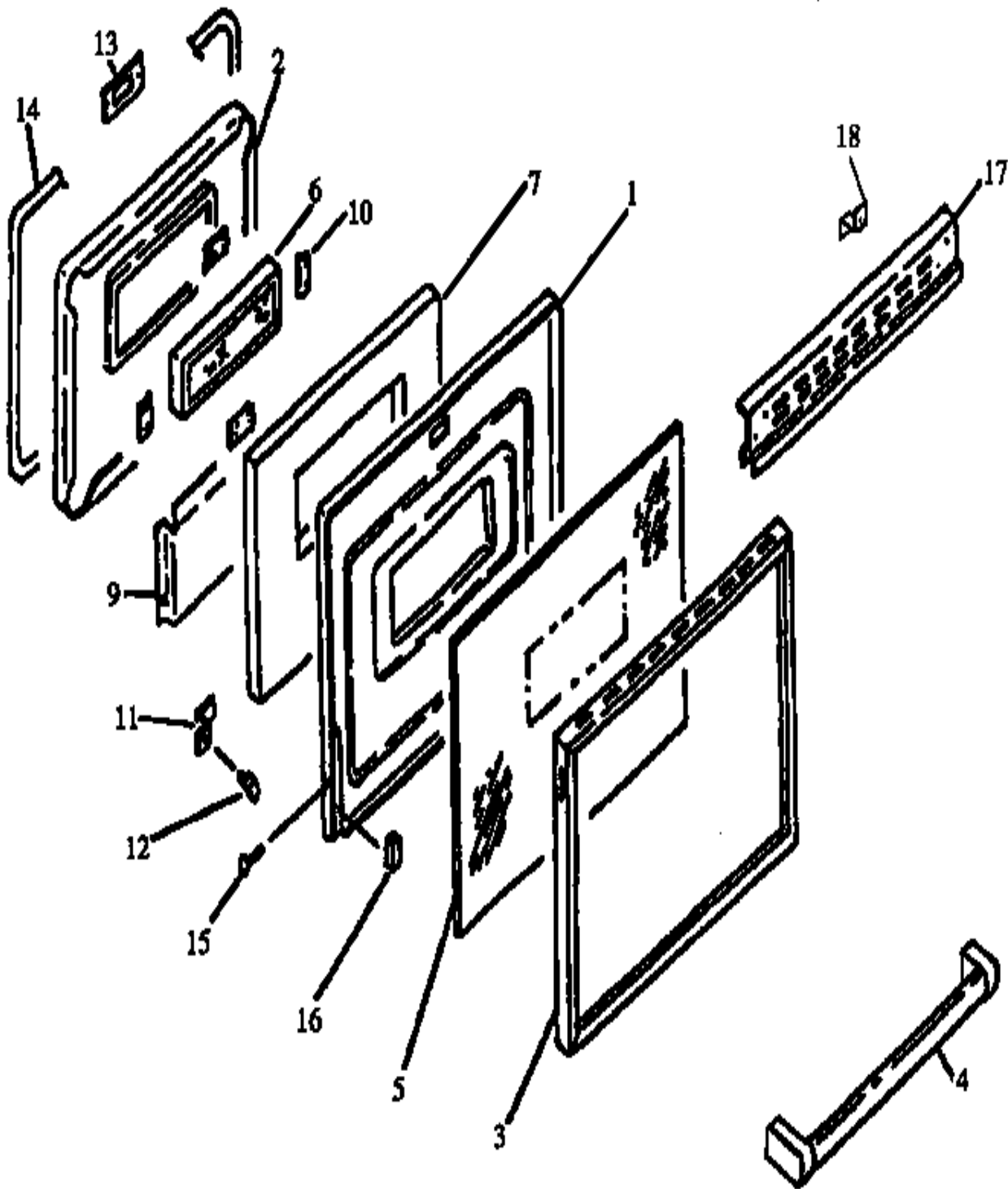
Section: BACKGUARD PARTS

No.	Part No.	Description	Series Qty
1	N 0306226	GLASS, BACKGUARD	1
2	N 0063575	CHANNEL, GLASS	1
3	N 304973B	TOP TRIM BACKGUARD	1
4	N 0304977	LIGHT DIFFUSER BACKGUARD-CLEAR	1
5	308307B	KNOB, CLOCK	1
6	Y0305509	KNOB, SWITCH	1
7	N 0305510	KNOB,THERMOSTAT (BLK)	1
8	N 306198B	KIT, VENT REWORK-BLK	1
9	N 306199B	TRIM, BACKSPLASH (BLACK)	1
10	N 306202B	END CAP ASSY.	1
11	N 306203B	ASS'Y, END CAP LH (BLACK)	1
12	N 0306671	KNOB, INFINITE SWITCH (BLK)	1
13	306674B	KNOB, LIGHT SWITCH (BLK)	1
14	0305503	CLOCK, ANALOG	1
15	0063008	SWITCH, SELECTOR	1
16	Y0063416	THERMOSTAT	1
17	0306672	SWITCH, INFINITE (WHT)	1
18	0306673	SWITCH, OVEN LIGHT, ROTARY	1
19	0305660	LIGHT, INDICATOR (RED)	1
20	Y0307349	PANEL, CONTROL	1
21	N 0305033	BRACKET, RETAINER	1
22	Y0306401	BRACKET, CLOCK	1
23	N 0306589	SUPPORT, BKGD (LH)	1
24	N 0306590	SUPPORT, BKGD (RH)	1
25	N 0058886	COVER, BACKGUARD	1
9999	Y0041785	SCREW, #6-32 X .250 PAN HD PH	1
9999	Y0073657	SCREW, #6-20 X .375 PAN HD PH	1
9999	Y0097885	NUT	1
9999	0063661	BUMPER, OVEN DOOR	1
9999	Y0041768	SCREW, #8-32 X 3/16 PPH	1

*Color Code (-)=Not Shown #=Series, Serial Prefix or Run No., N=Not Available

Section: OVEN DOOR

Model: ART660L_P1167302S_L



AM15062

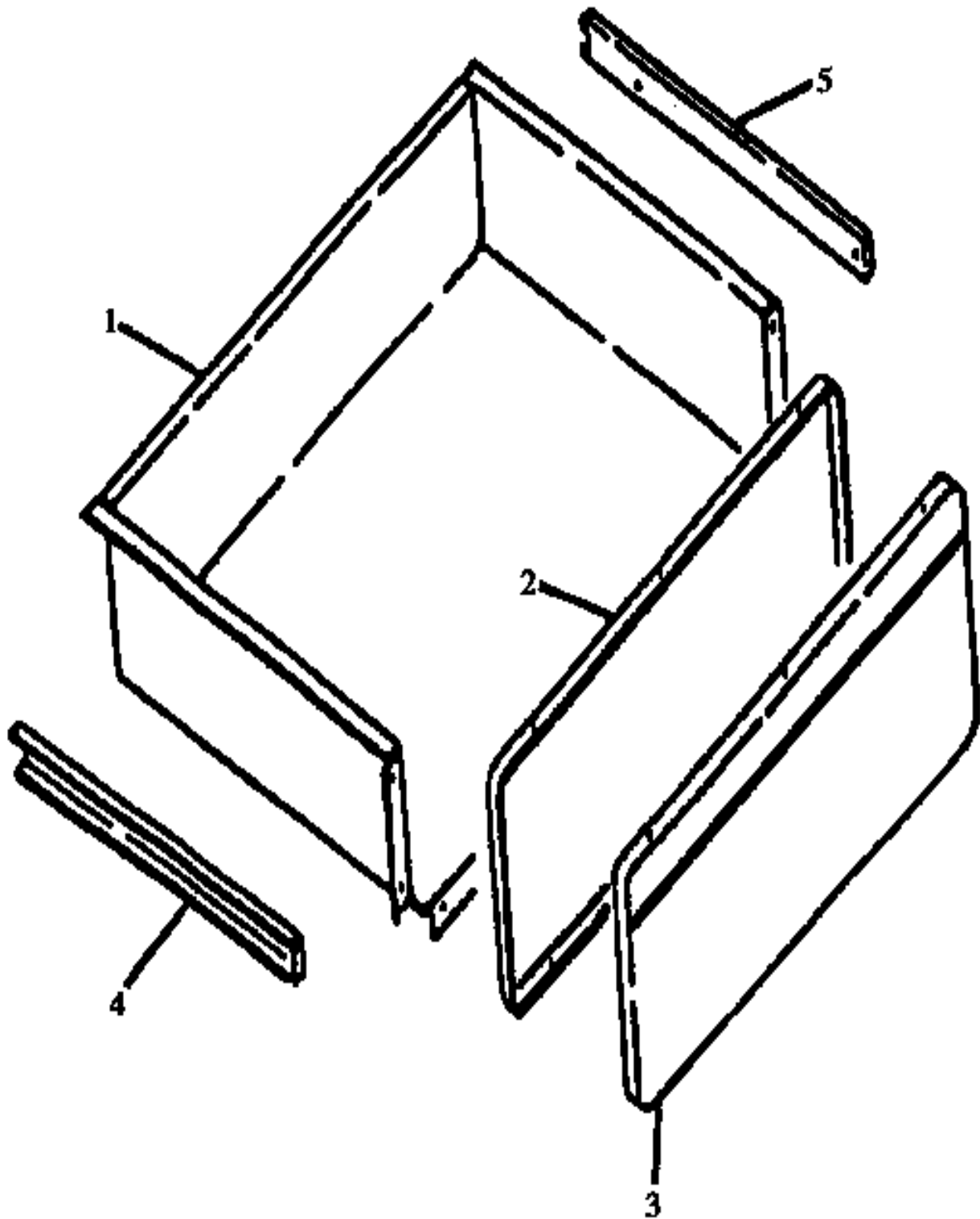
Section: OVEN DOOR

No.	Part No.	Description	Series	Qty
1	N 302723E	DOOR BACKER, ELECTRIC (CG)		1
2	58808CG	PAD, OV DR W/WINDOW		1
3	308071B	FRAME, OVEN DOOR (BLACK)		1
4	Y0305519	KIT, DR HNDL/TRIM (BLACK)		1
5	0300791	GLASS, OVEN DOOR		1
6	N 0304831	WINDOW ASSY		1
7	N 0062614	INSULATION,DOOR-SUB BACKER		1
9	N 306467B	BAFFLE, OVEN DOOR (BLACK)		1
10	0052629	RETAINER, DOOR GLASS		1
11	0062439	SUPPORT BRACKET, GLASS		1
12	0063661	BUMPER, OVEN DOOR		1
13	Y0052039	LATCH PLATE		1
14	Y0300432	GASKET, OVEN DR 82"		1
15	Y0302648	RIVET, POP		1
16	0060247	BUMPER, RUBBER		1
17	Y0305525	KIT, DR HNDL/TRIM (BLACK)		1
18	0307910	SUPPORT, DOOR GLASS		1
9999	Y0303777	SCREW #8-18 X .375 (BL)		1
9999	Y0059445	SCREW, #8-18X.406-.344 WAFERHD		1
9999	Y0041809	SCREW, #8-18 X 3/8 P TRS HD LP		1
9999N	0300584	LABEL,CLEANING INSTR.		1
9999	Y0079863	SCREW, #10-24X3/8 (PH TRS HD)		1

*Color Code (-)=Not Shown #=Series, Serial Prefix or Run No., N=Not Available

Section: STORAGE DRAWER ASSY

Model: ART660L_P1167302S_L



AM15063

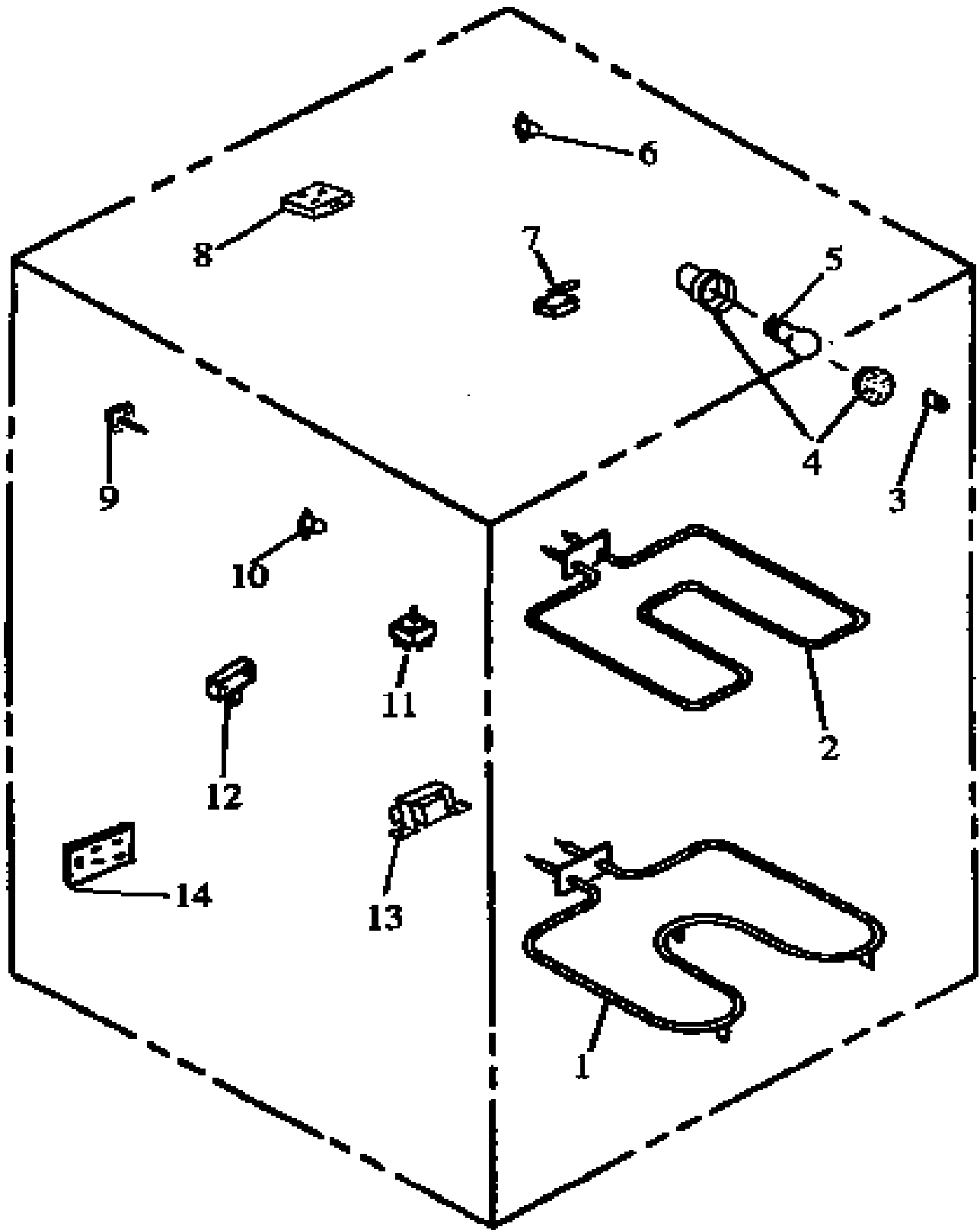
Section: STORAGE DRAWER ASSY

No.	Part No.	Description	Series Qty
1	306519E	WRAPPER, STOR DRAWER	1
2	306521B	LINER, STOR DRAWER	1
3	N 063702W	PANEL, DRAWER WHT	1
3	N 063702L	PANEL, DRAWER L	1
3	063702B	DRAWER PANEL BLACK	1
4	N 0306404	RUNNER STORAGE DWR-LH	1
5	Y0306405	RUNNER STORAGE DWR-RH	1
9999	Y0059445	SCREW, #8-18X.406-.344 WAFERHD	1
9999	Y0303777	SCREW #8-18 X .375 (BL)	1
9999	Y0041809	SCREW, #8-18 X 3/8 P TRS HD LP	1

*Color Code (-)=Not Shown #=Series, Serial Prefix or Run No., N=Not Available

Section: ELECTRICAL COMPONENTS

Model: ART660L_P1167302S_L



AM15064

Section: ELECTRICAL COMPONENTS

No.	Part No.	Description	Series Qty
1	Y0059552	ELEMENT,BAKE(240V-2500W)*	1
2	Y0061732	ELEMENT, BROIL (240V-3000W)	1
3	Y0091363	SWITCH, OVEN LIGHT	1
4	N 0300582	ASSY, OVEN LIGHT	1
5	Y0042175	BULB, LIGHT	1
7	Y0065780	SWITCH, CLEAN CIRCUIT	1
10	0053584	SWITCH, HI LIMIT	1
11	0061389	INFINITE SWITCH	1
12	0306378	TERMINAL BLOCK	1

*Color Code (-)=Not Shown #=Series, Serial Prefix or Run No., N=Not Available

Section: SUPPLEMENTAL INFORMATION

No.	Part No.	Description	Series Qty
9999N	Y0307864	OWNERS MANUAL (ART660)	1
9999N	0305607	MANUAL, INSTALL INSTR.	1
9999	Y0307637	CLEANER, COOKTOP(SMOOTH)ELCO 1	1

*Color Code (-)=Not Shown #=Series, Serial Prefix or Run No., N=Not Available

